

Sanitana

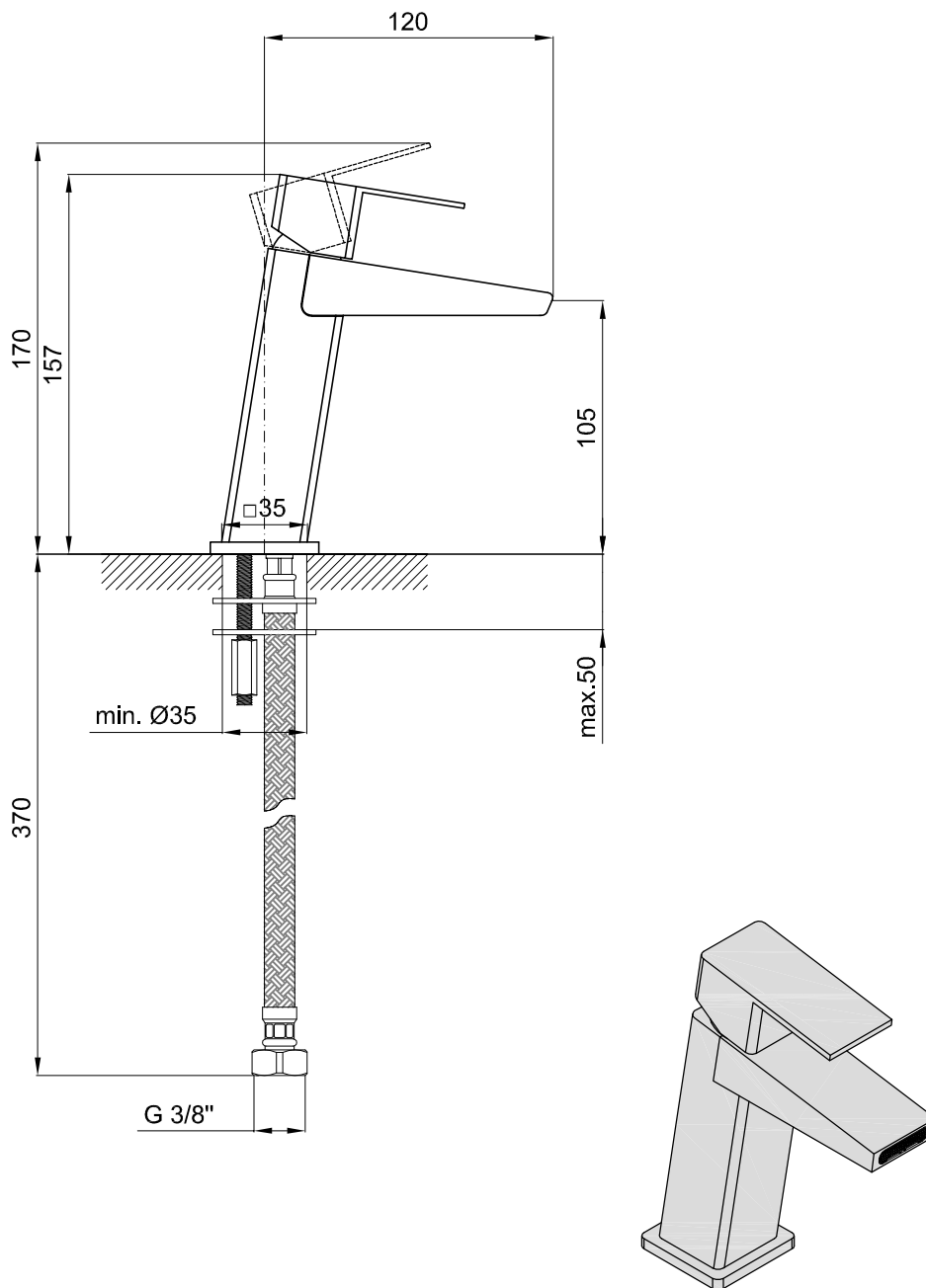
CARACTERÍSTICAS DO MODELO:

- MATERIAL: LATÃO CROMADO
- CARTUCHO CERÂMICO 25mm
- REGULADOR DE CAUDAL ACTIVO
- GARANTIA DE 5 ANOS
- PESO: 1.50 KG

PEÇA:

- DESCRIÇÃO: TORNEIRA DE LAVATÓRIO
- SERIE: ART
- VERSÃO: MONOCOMANDO CASCATA FECHADA SEM VDA
- REF: TARTL6CF01M0

CROQUIS COM DIMENSÕES GERAIS E DE LIGAÇÃO:



COMPONENTES INCLUÍDOS:

- FLEXÍVEIS DE ALIMENTAÇÃO DE 3/8" - Ref: AXTXXFX01

PRODUTOS ASSOCIADOS:

- VÁLVULA VDA OU CLIC-CLAC: (OPCIONAL, VER CATÁLOGO GERAL)

Sanitana

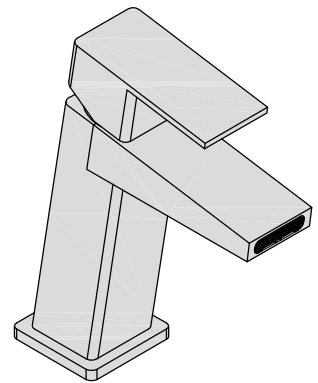
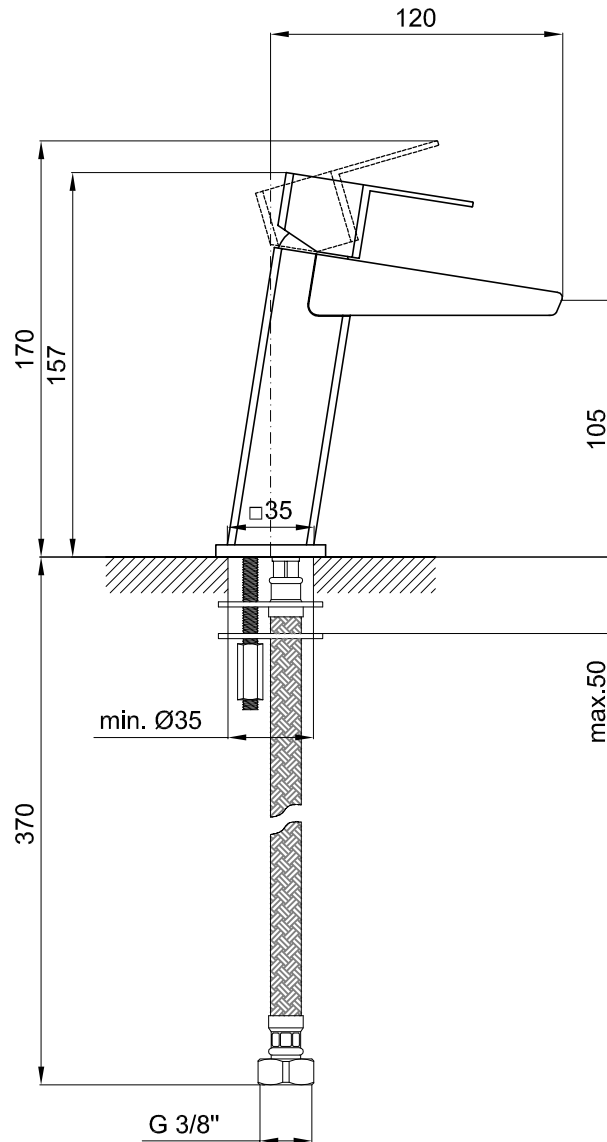
FEATURES OF THE MODEL:

- MATERIAL: BRASS CHROME
- CERAMIC CARTRIDGE 25 mm
- ACTIVE CAUDAL REGULATOR
- FIVE YEARS WARRANTY
- WEIGHT: 1.50 KG

PART:

- DESCRIPTION: TAP FOR WASHBASIN
- SERIES: ART
- VERSION: SINGLE LEVER CLOSED CASCADE WITHOUT VDA
- REF: TARTL6CF01M0

SKETCH WITH DIMENSIONS AND CONNECTIONS:



INCLUDED COMPONENTS:

- FLEXIBLE POWER $\frac{3}{8}$ " - Ref: AXTXXFX01

RELATED PRODUCTS:

- POP UP OR STOP AND GO WASTE VALVE: (OPTIONAL, CONSULT GENERAL CATALOGUE)

FORM N°: SCDRW-000040149

The products presented follow technical specifications Sanitana SA. The dimensions are approximate. For installation as only to be considered the dimensions of the part to be removed applied. We reserve the right to make technical changes to improve the functionality of our products without notice.